

E4 1-1/4" Clamped Metallic Pumps Specifications and Performance

SPECIFICATIONS

E4

FLOW RATE (Adjustable)... 0-70 gpm (0-265 lpm)

PORT SIZE

Inlet..... 1.50" NPT (BSP)

Outlet..... 1.25" NPT (BSP)

AIR INLET..... 0.50" NPT

AIR EXHAUST..... 0.75" NPT

SUCTION LIFT.... 15' Dry/25' Wet (4.57m/7.62m)

Teflon®..... 10' Dry/20' Wet (3.05m/6.09m)

MAX. PARTICLE SIZE (Dia.).....0.1875"(4.76mm)

SHIPPING WEIGHTS

Aluminum..... 41 lbs (18.60 kg)

Cast Iron..... 57 lbs (25.85 kg)

Hastelloy C..... 57 lbs (25.85 kg)

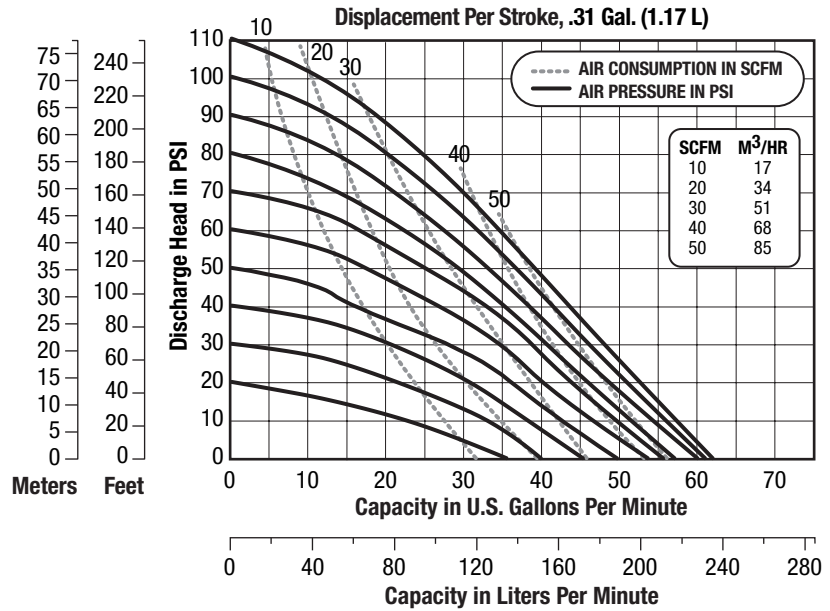
Stainless..... 57 lbs (25.85 kg)



PERFORMANCE

Determined by actual flow meter tests.

E4



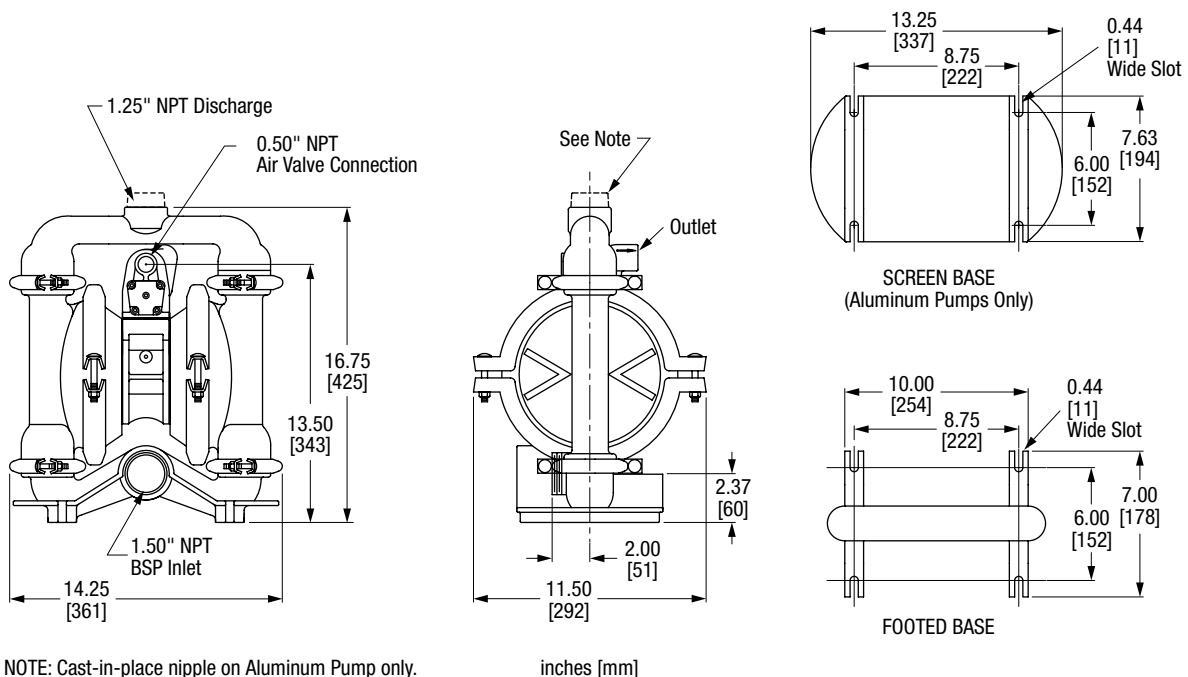
NOTE: For E4 pumps fitted with Teflon® diaphragms, reduce water discharge figures by 20%. Suction lift is reduced to 10' (3.05m) dry and 20' (6.10m) wet.

CAUTION: Do not exceed 125 psig (8.5 bars) air supply or liquid pressure.

DIMENSIONS

Consult factory for certified drawings.

E4



NOTE: Cast-in-place nipple on Aluminum Pump only. Female Threaded on others.