

# E5 1/2" Plastic Bolted Pumps Specifications and Performance

## SPECIFICATIONS

E5

**FLOW RATE** (Adjustable) ..... 0-14 gpm (53 lpm)

### PORT SIZE

Inlet and Outlet..... 0.50" NPT

**AIR INLET** ..... 0.375" NPT

**AIR EXHAUST** ..... 0.375" NPT

**SUCTION LIFT**.. 15' Dry/25' Wet (6.096m/7.62m)

Teflon®..... 5' Dry/10' Wet (1.52m/3.048m)

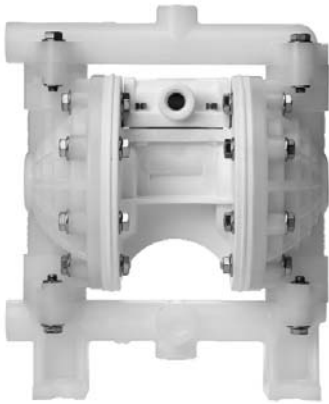
**MAX. PARTICLE SIZE** (Dia.) .....0.0625"(1.6mm)

### SHIPPING WEIGHTS

Polypropylene ..... 10 lbs (4.54 kg)

Kynar® ..... 10 lbs (4.54 kg)

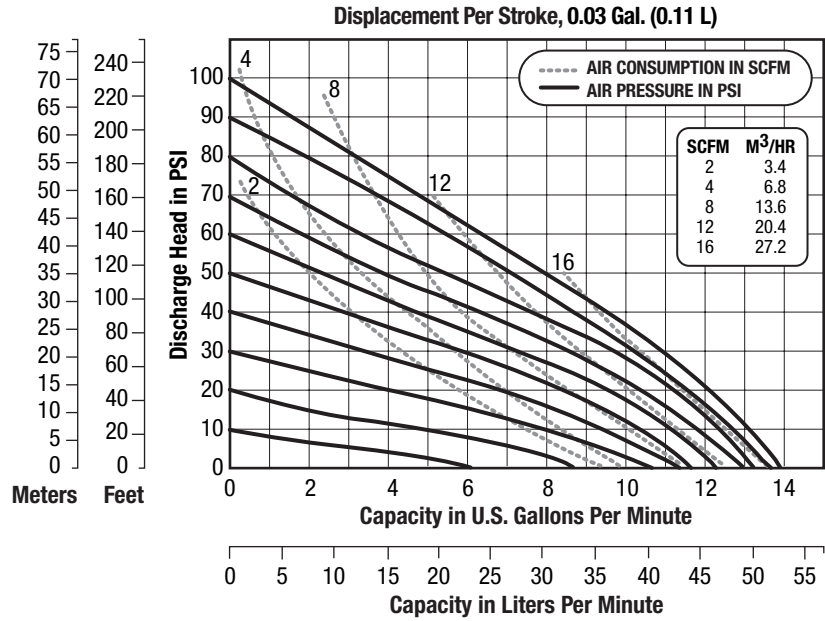
Teflon® ..... 12 lbs (5.45 kg)



## PERFORMANCE

Determined by actual flow meter tests.

E5



**CAUTION:** Do not exceed 100 psig (6.9 bars) air supply or liquid pressure.

## DIMENSIONS

Consult factory for certified drawings.

E5

