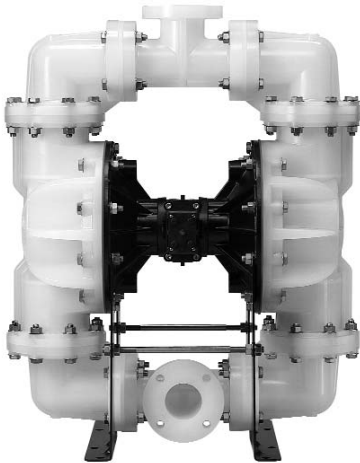


E3 3" Plastic Bolted Pumps Specifications and Performance

SPECIFICATIONS

E3

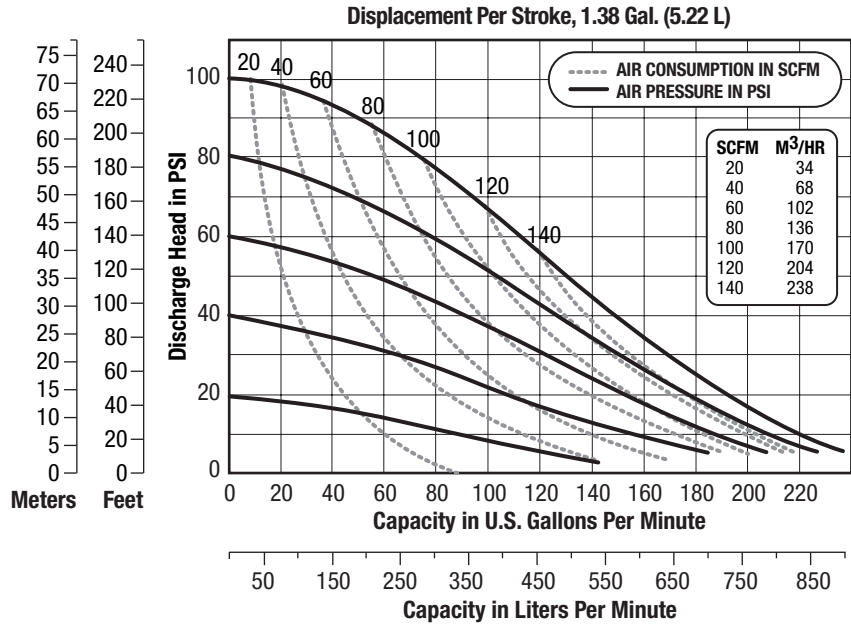
FLOW RATE (Adjustable) 0-238 gpm (901 lpm)
PORT SIZE
 Inlet and Outlet..... 3.0" ANSI or DIN 80 Flange
AIR INLET 0.75" NPTF
AIR EXHAUST 1.00" NPTF
SUCTION LIFT 20' Dry/25' Wet (6.10m/7.62m)
 Teflon®..... 10' Dry/20' Wet (3.05m/6.10m)
MAX. PARTICLE SIZE (Dia.) 0.71" (18mm)
SHIPPING WEIGHTS
 Polypropylene 231 lbs (105 kg)
 PVDF 315 lbs (143 kg)



PERFORMANCE

Determined by actual flow meter tests.

E3



CAUTION: Do not exceed 125 psig (8.5 bars) air supply or liquid pressure.

DIMENSIONS

Consult factory for certified drawings.

E3

